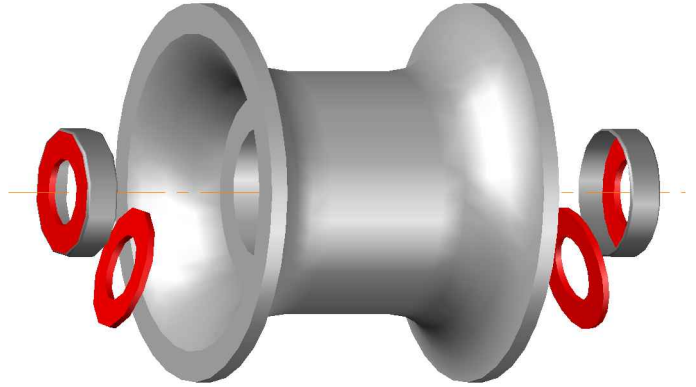


SS Roller Maintenance Instructions

New SS Rollers are pre-loaded with grease (date should be noticeable).

When replacing bearings, remove the inside seal of each bearing allowing grease to fill cavity from the inside.



A new roller requires 25-30 pumps from a standard grease gun.

Be careful on the last few pumps not to blow the seal from either bearing.

NOTE:

Bearings should be given 2 pumps of grease at the end of each trip to expel any water that may have forced its way past the seal.



YAQUINA BOAT EQUIPMENT

508 BUTLER BRIDGE ROAD
TOLEDO PORT DOCK
(541) 336-5593 FAX (541) 336-5156



Name:

Sheet:

Job#:

Date:

Scale:

Drawing Name: 7 Inch SS Roller
Maintenance Instructions

Drawn by:

Checked by:

Of